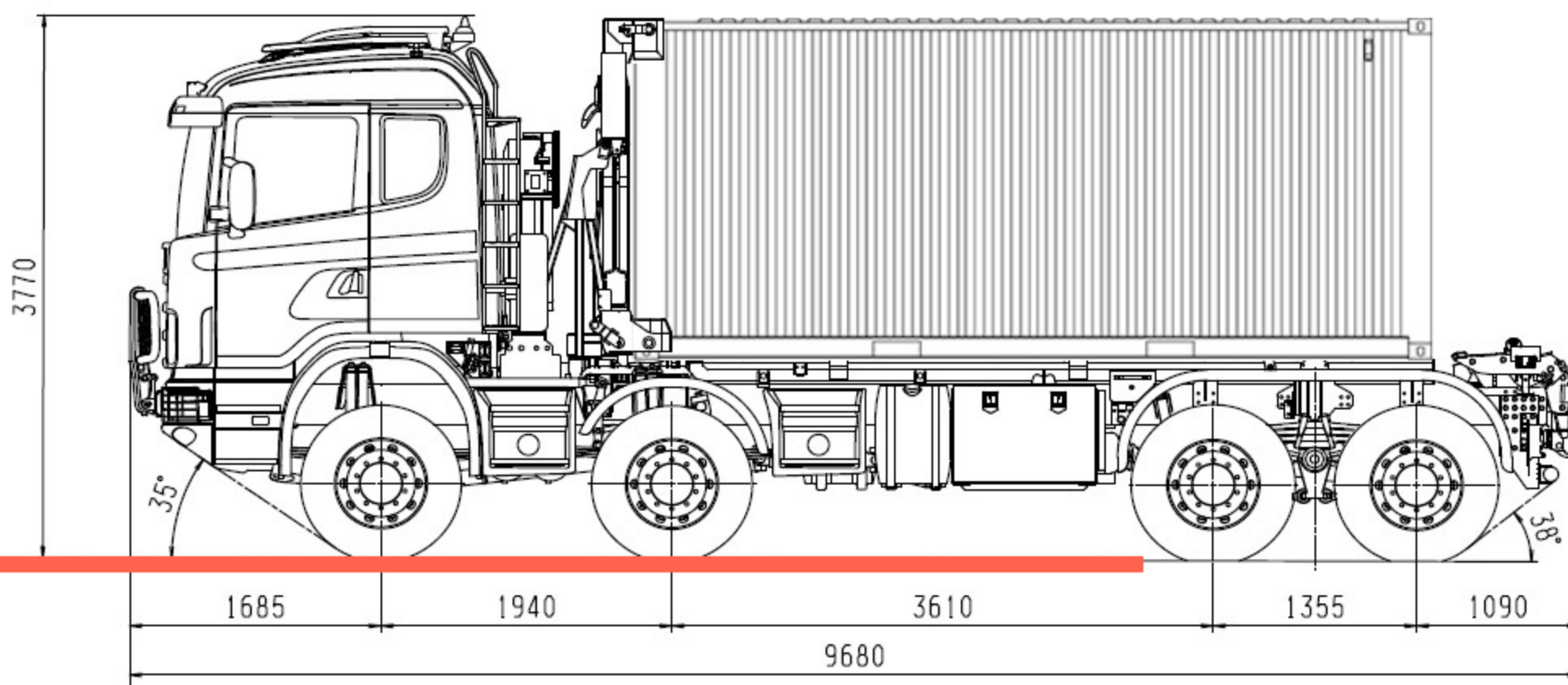


Road transport MEGA DeploymentBox

WLS

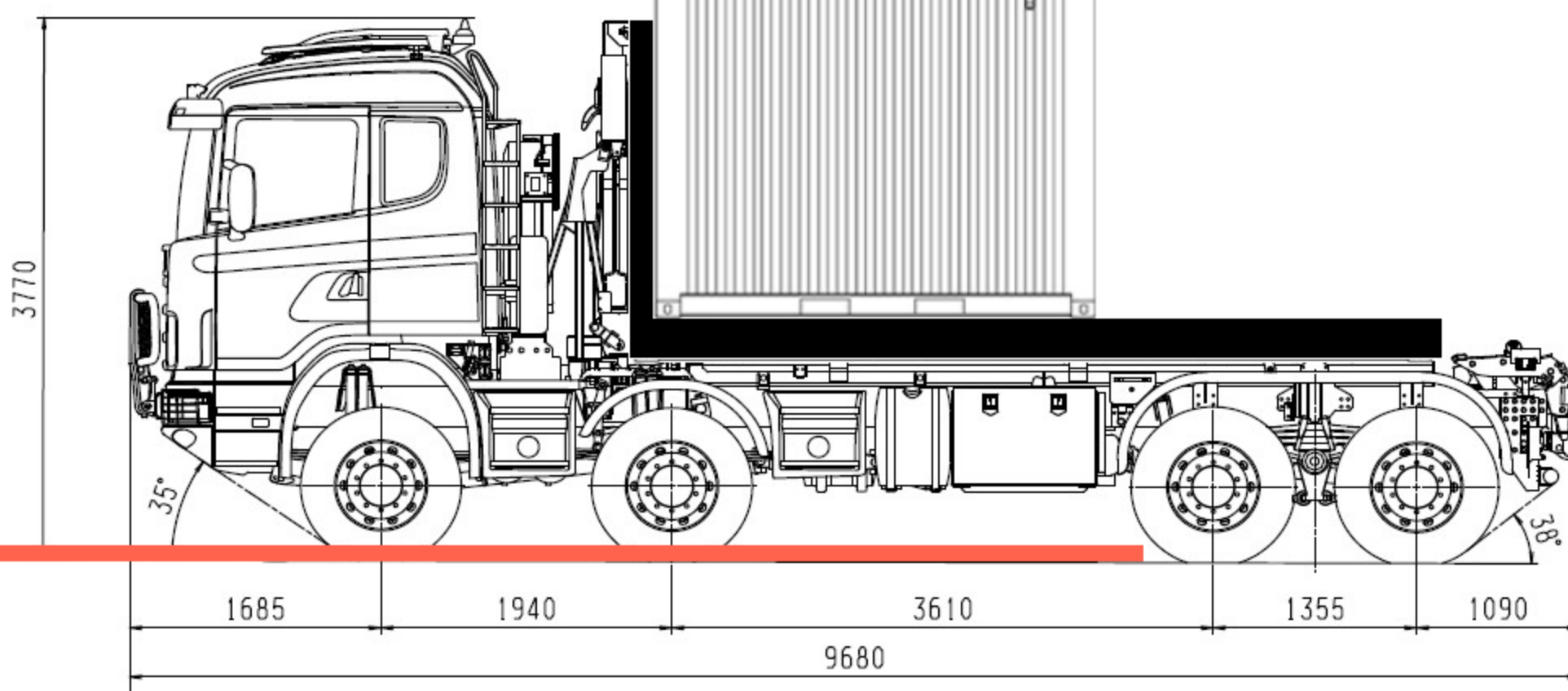
WLS (DeploymentBox 20ft without flatrack)

Maximum permitted height on public road 4000mm



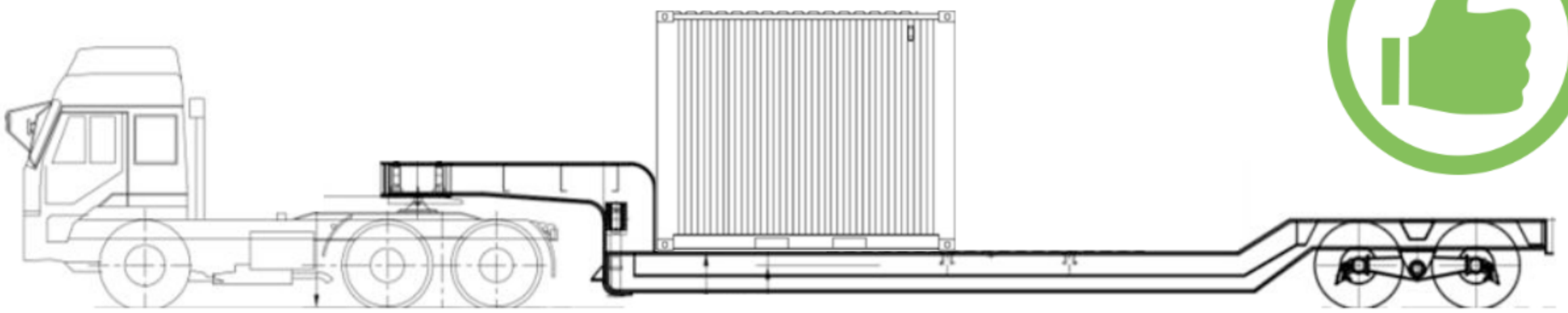
WLS (DeploymentBox 10ft with flatrack)

Maximum permitted height on public road 4000mm



Additional ways of transport

Lowloader (for 10ft and 20ft DeploymentBox)



Truck with trailer (for 10ft and 20ft DeploymentBox)



Additional information

In addition to the above examples, it is also possible to transport both the 10ft and the 20ft DeploymentBox with the Scania Gryphus (new truck NLMOD).

Note; both the DeploymentBox 10ft and 20ft (NLMOD version) are so-called low cube variants, making them lower than a regular sea container.

The above road transport options is just a selection of the transport options.

The (Dutch) legal maximum transport height is 4000mm (4m) without exemption.

If the desired information is not listed here, please contact the e-mail address below. If you have additional questions regarding sea transport (or another method of transport), you can also contact this mail address. info@mega-se.com